

IASO®

Better Outside

TECHNICAL DATA SHEET

ENGLISH

PARASOLS

SMALL COLLECTION

STARLIT



INDEX	—	02	DESCRIPTION
		02	TECHNICAL CHARACTERISTICS
		02	MAIN COMPONENTS
		03	MEASURES 2 X 2
		03	MEASURES 2,5 X 2,5
		04	MAINTENANCE

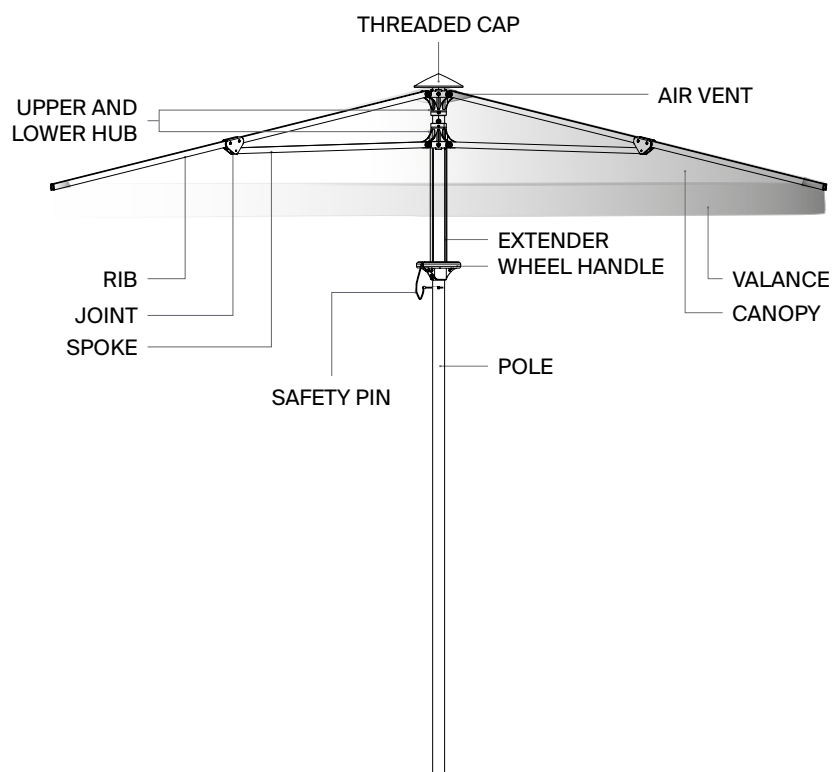
DESCRIPTION

Designed to withstand intensive use and the most demanding weather conditions, this model stands out for its robustness and reliability.

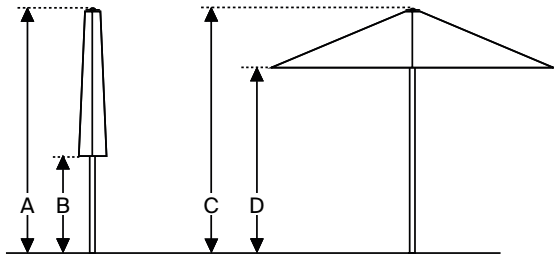
TECHNICAL CHARACTERISTICS

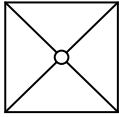
- Dimensions: 2.5 × 2.5 m, 2 × 2 m
- Clearance height: 2.20 m (2.5 × 2.5) and 2.25 m (2 × 2)
- Structure material: Aluminium mole. Steel ribs and radial arms
- Screws material: Stainless steel
- Plastic components material: Polypropylene
- Frame colour: Powder-coated RAL 7026
- One-piece mole, Ø38 mm, t=1.5 mm
- 4 ribs and radial arms: 18×12 mm, t=0.8 mm
- TensoTex self-locking system, manual opening via sliding wheel
- Galvanised steel safety pin
- Anti-blocking system for ribs when the parasol is closed
- Anti-pinch fabric protection system
- Fabric: ALTan2 100% PES 220 g/m², Cotton-polyester 260 g/m² or Acrylic SR 330 g/m²
- Edged 250 mm lighting valance in acrylic or polyester, depending on model
- Wind-resistance system
- Threaded top cap
- Polyester pockets on acrylic-fabric parasols and polyester-fabric parasols

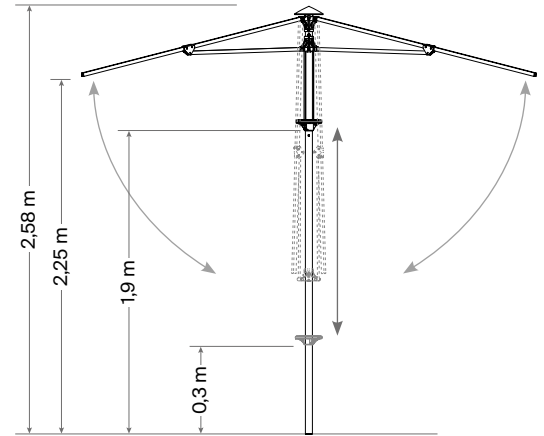
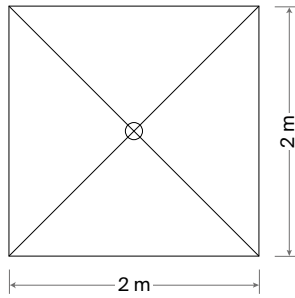
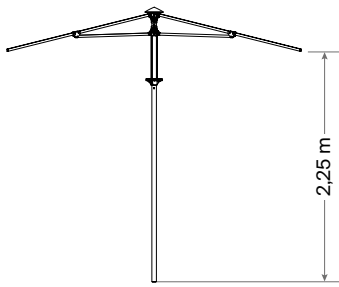
MAIN COMPONENTS



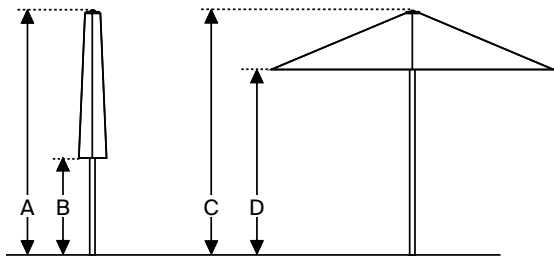
MEASURES 2 x 2

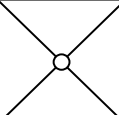


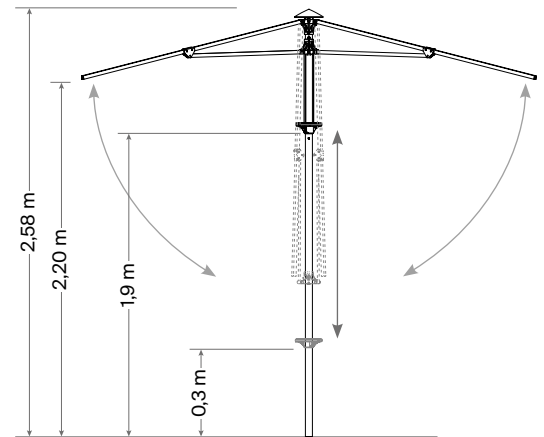
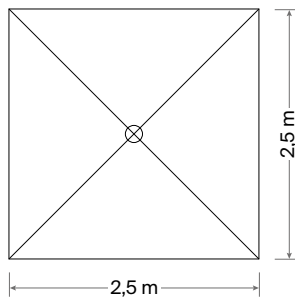
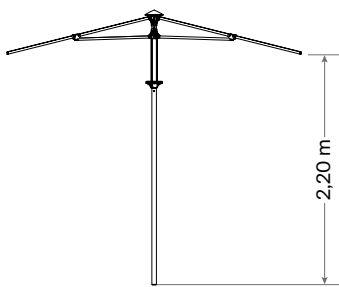
Model	A	B	C	D
 2 x 2 m	258 cm	113 cm	258 cm	225 cm



MEASURES 2,5 x 2,5



Model	A	B	C	D
 2,5 x 2,5 m	258 cm	82 cm	258 cm	225 cm



MAINTENANCE

This is a unique product in which the construction solutions and materials used are of the highest quality, ensuring maximum durability. As a result, regular maintenance is minimal, allowing you to keep it in perfect working condition and with an attractive appearance with only a few interventions. Below are some simple rules that must be followed:

CALOPIY

Canopy maintenance is limited to cleaning. To keep the exposed area looking like new, clean it 2 or 3 times a year to prevent dust or pollution from settling on the fabric due to sun exposure.

- POLYESTER: Dry cleaning

STRUCTURE

Aluminium and polypropylene should be cleaned with water and neutral soap.

ATTENTION

The main function of the parasol is to reduce the incidence of sunlight; it does not provide 100% protection against rain. The use of anti-pinch stoppers on the rods is necessary to prevent the fabric from tearing when folding.



We believe in the *elegance* of engineering.